

8130B-86MB

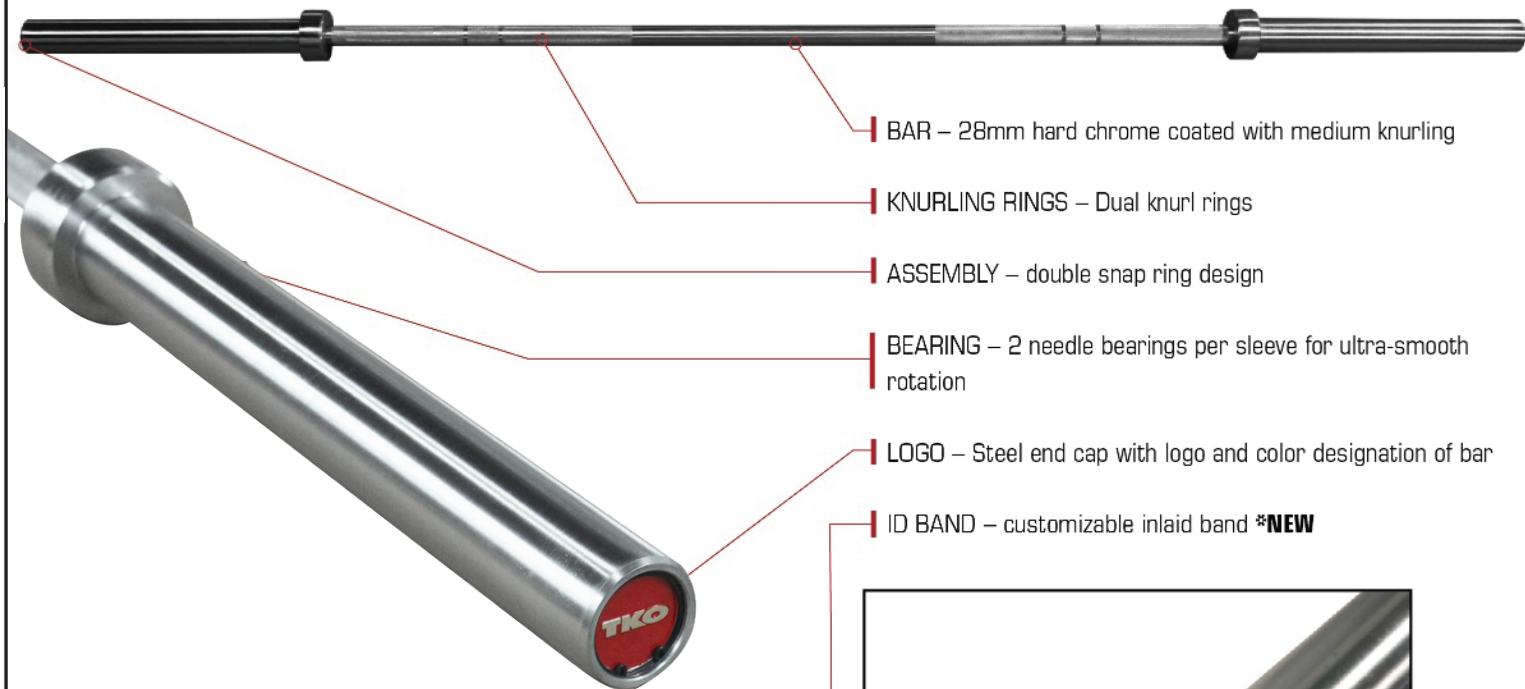
SIGNATURE SERIES | OLYMPIC BAR

The **TKO Olympic Bar** line provides high quality with a stylish design to enhance the look of any facility. Built from the highest end material and guaranteed to last in the highest use facilities from health clubs, college rec and high school levels. Variety of diameters, weight and lengths available, all with needle bearings.

PRODUCT SPECIFICATIONS

LENGTH: 86" (218cm)
DIAMETER: 28.5mm
PRODUCT WEIGHT: 44lbs. (20kg)
CAPACITY: 208,000 PSI / 1500lbs.
WARRANTY: 5 YEARS

FEATURES & BENEFITS



- BAR – 28mm hard chrome coated with medium knurling
- KNURLING RINGS – Dual knurl rings
- ASSEMBLY – double snap ring design
- BEARING – 2 needle bearings per sleeve for ultra-smooth rotation
- LOGO – Steel end cap with logo and color designation of bar
- ID BAND – customizable inlaid band ***NEW**



CUSTOMIZABLE ID BAND

TKOSTRENGTH.COM | 1.866.856.3488

SALES@TKOSTRENGTH.COM

