

INSPIRE™

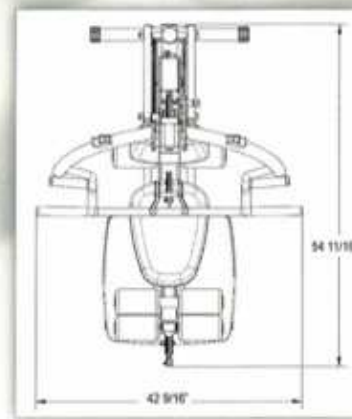
prepare for the ride of your life!

check out our workouts
on the web!



BODYLIFT™

By Health In Motion LLC.
Phone (877) 738-1729 • Fax (714) 738-1728
www.inspirefitness.net



Maximum Height: 88.5"

Over 36 exercises available



Adjust resistance levels quickly and easily



➤ Seated Mid-Row shown



➤ Standing Biceps Curl shown

Body Lift™ Product Specifications

- **Frame** Heavy-duty 2"x4" oval 11 gauge tubular steel.
- **Powder Coated Finish** The Electrostatic Powder Coat offers a durable, maintenance free finish.
- **User-friendly Adjustment** Easily select resistance level with one-handed adjustment slide.
- **Accessories** 18" revolving curl bar and 48" steel lat bar.
- **Pulleys** Fiberglass reinforced nylon.
- **Cables** 2000lb. tensile strength polyurethane coated cable.
- **Warranty (Residential use only)** Limited Lifetime Warranty.

Covered under patents: 5,330,405 - 5,944,641 - 5,961,427 and 7,837,600.
Inspire/Health In Motion LLC. reserves the right to alter product specifications at any time.